



tigerlight®

HIGH-PERFORMANCE
INDUSTRIAL LIGHTING

CORSO PRO SERIES
INTELLIGENT SOLAR LIGHT



CORSO
PRO

CORSO
PRO-XL



CAREFULLY MATCHED PACKAGES OF SOLAR PANEL, BATTERY, CONTROLLER, LIGHT HEAD AND CABLING

Two solar lighting packages pre-assembled as a plug-and-play pairing of light head and solar panel/battery unit.

Quality componentry matched for reliability of output as a top priority

Designed and constructed for robust environments. Panels IP66, IK08. Light heads IP66, IK10.

Both options deliver 3 days autonomy based on 25% time in full brightness.



PRODUCT CODES

	MODEL	OPTIC	CCT	
CORSO PRO	SRCP50	-T2M	-722	2200K
CORSO PRO XL	SRCPL100	-T3M	-730	3000K
		-T4M	-740	4000K
			-750	5000K
			- AMBER	Turtle-friendly

Product code example: SRCP50-T2M-722

NB Vertical poles are not included. Outreach arm & bracket are included in Corso PRO only.



AUTONOMY & TYPICAL INSTALLATION



**CORSO
PRO**

3 days

4-6m

20m@5m MH

25m@5m MH



**CORSO
PRO·XL**

3 days

6-9m

30m@8m MH

35m@8m MH

AUTONOMY

Based on 25% time in full brightness

TYPICAL MOUNTING HEIGHT

TYPICAL SPACINGS (T2M lenses)

PP2 AS/NZ1158.3.1:2020

PP3 AS/NZ1158.3.1:2020

APPLICATIONS

- Carparks
- Private roads
- Walking & cycling tracks
- Perimeter lighting
- Civic spaces
- Retirement villages
- Mining camps
- Storage yards
- Refuel areas
- Muster points
- Docks & piers
- Agriculture





CORSO PRO

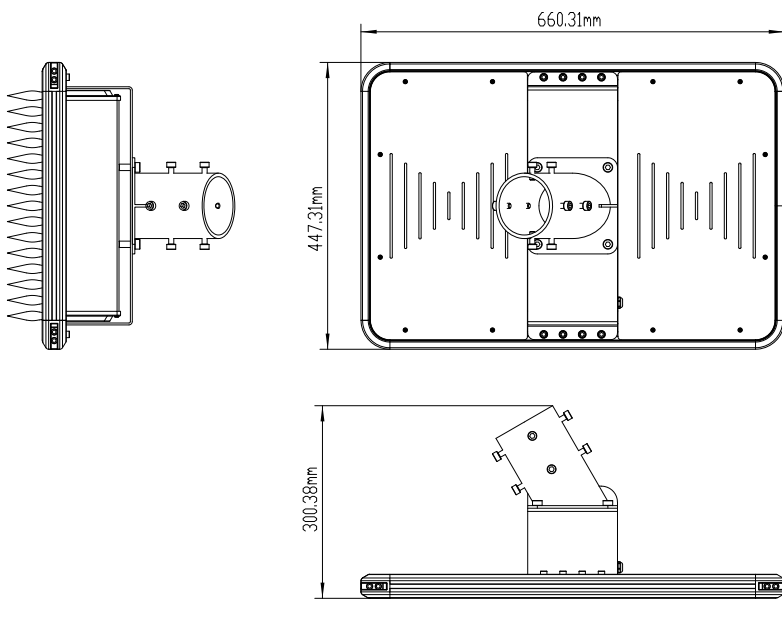
SOLAR PANEL / BATTERY UNIT

Solar panel:	50W, bi-facial panel type
Battery rating:	26Ah / 312Wh, Lithium ion
Battery cycles:	>2000
Autonomy:	>3 days, based on 25% time in full brightness
IP / IK rating :	IP66 / IK08
Construction:	Panel: Aluminium, powder-coated Fixings: 304 stainless steel
Operating temp:	-20 to +65°C
Dimensions mm:	660 x 447mm. Weight 13kg
Spigot diameter:	Suits 76 - 89mm outer diameter
Cabling:	True Plug & Play connectivity. Solar unit pre-fitted with 2m of cable tail with 4-pin male connector plug
Accessories:	Bird spikes included Outreach arm included, 500mm L Vertical poles not included
Warranty:	5 years on solar panel, 3 years on battery.

**CORSO
PRO**



Bi-facial panel with removable protective panel beneath

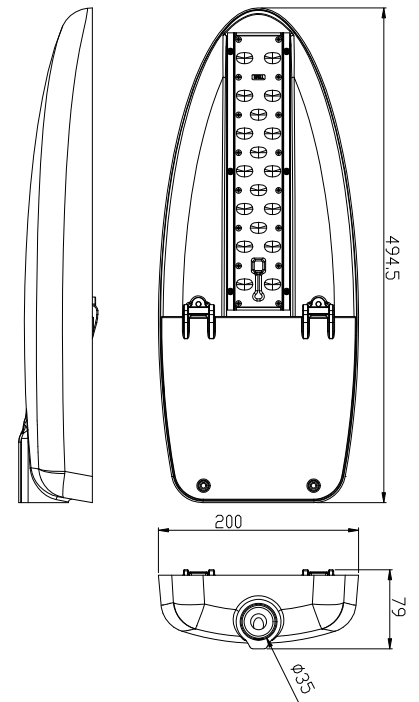
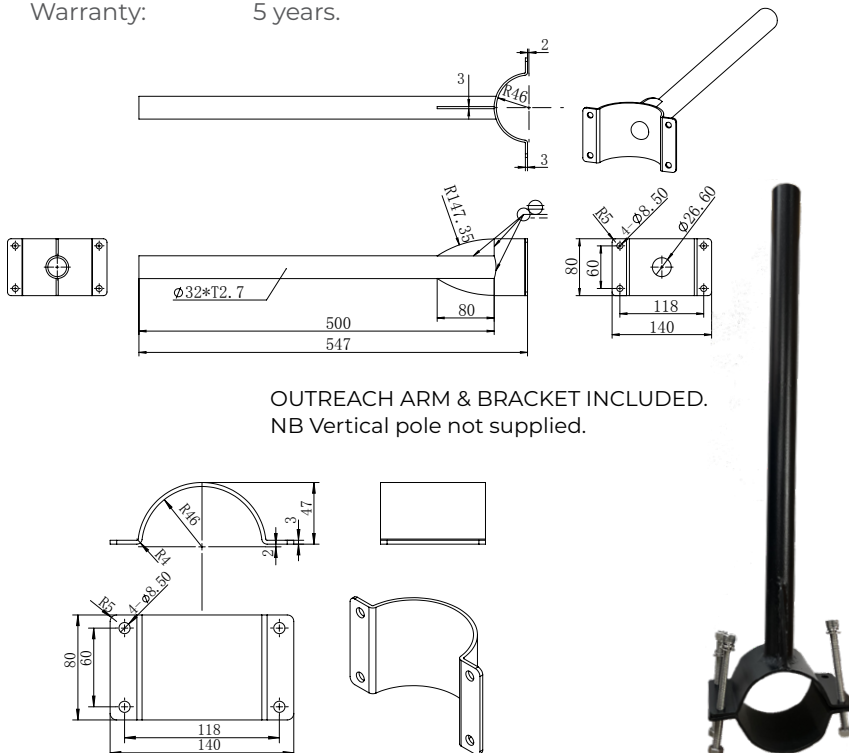
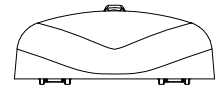




CORSO PRO

LIGHT HEAD

- Luminaire: Mako area light with motion sensor
- Output: 15W at 100%. Approx 5W in dim mode
- Lumens: 2100 lm at 100% output. 700 lm in dim mode
- LED chipset: Nichia 3535
- CCT options: Options are 2200K, 3000K, 4000K, 5000K, Amber (Turtle-friendly)
- Optics: Core options T2M, T3M, T4M. 14 others on request
- Sensor: Microwave motion sensor. Range up to 12m
- Controller: Built-in PWM smart controller manages light output
- Pre-program: Auto-ON at dusk. Auto-OFF at dawn
Runs at 100% for 30 sec after movement detected
Reverts to dim mode at approx 33% max output
- IP / IK ratings: IP66 / IK10
- Dimensions: 495 L x 200 W x 79mm H. Weight 5.9kg
- Outreach arm: 500mm outreach arm & bracket supplied. Spigot 35mm internal diameter
- Cabling: Mako prefitted with 1m of cable tail with 4-pin male connector for Plug & Play connectivity
- Warranty: 5 years.



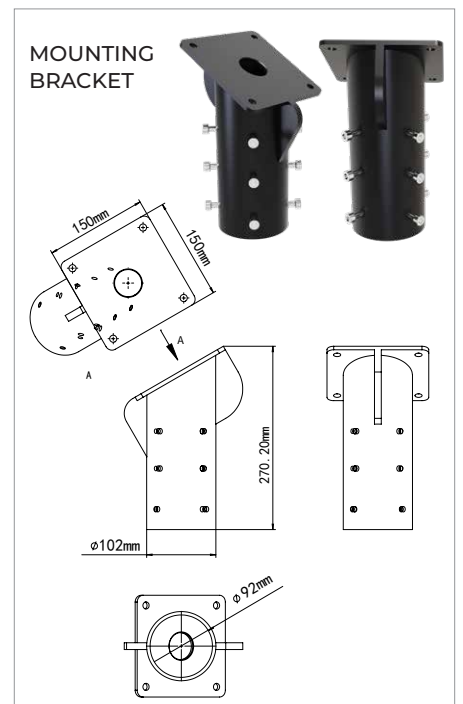
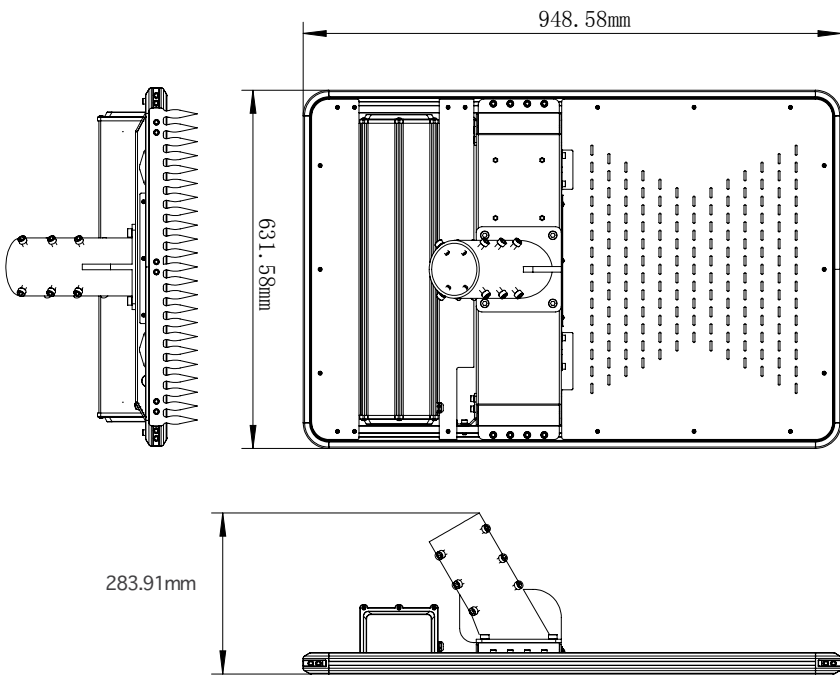


CORSO PRO XL

SOLAR PANEL / BATTERY UNIT



Solar panel:	100W bi-facial monocrystalline 18V
Battery rating:	52Ah / 624Wh Lithium ion
Battery cycles:	>2000
Autonomy:	3 days, based on 25% time in full brightness
IP / IK rating :	IP66 / IK08
Construction:	Panel: Aluminium, powder-coated Fixings: 304 stainless steel
Operating temp:	-20 to +65°C
Dimensions mm:	949Lx632Wx284mmD inc bracket
Weight	23.5kg
Spigot diameter:	92mm
Cabling for true plug-and-play connectivity	Solar unit pre-fitted with 2m of cable tail with 4-pin female connector plug
Accessories:	Bird spikes included Poles not included
Warranty:	5 years solar panel, 3 years battery.

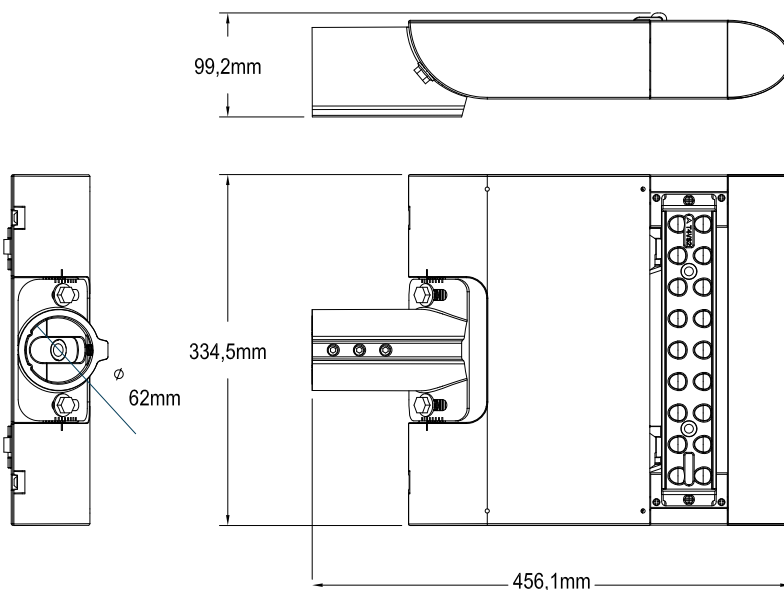




CORSO PRO XL

LIGHT HEAD

Luminaire:	Tiger Streetlight with motion sensor
Output:	30W at 100%. 10W in dim mode
Lumens:	4340 lm at 100% output 1400 lm dim mode
LED chipset:	Nichia 319A (3535 series)
CRI:	>70
CCT options:	4000K std, 2200K, 3000K, 5000K & amber (turtle friendly) optional
Optics:	Core options are T2M, T3M, T4M 14 other optics on request
Sensor / range:	Microwave motion sensor. 12m range
Controller:	Built-in PWM smart controller
Pre-program:	Auto-ON at dusk. Auto-OFF at dawn 100% for 30 sec after movement detected then dims to approx 33% max.
IP / IK ratings:	IP66 / IK10
Dimensions:	456 L x 335 W x 99mm H
Weight:	6.1kg
Spigot:	62mm internal diameter
Cabling:	True Plug & Play connectivity. Prefitted with 1m of cable tail with 4-pin male connector
Warranty:	5 years





tigerlight[®]

T 1300 184 437
F 02 9913 8876
E info@tigerlight.com.au

**National Support &
Distribution Centre**
Unit 8, 1 Vuko Place,
Warriewood, NSW 2102

**Western Australia
Office & Warehouse**
Unit 3, 1 Distinction Road,
Wangara, WA 6065

tigerlight.com.au

 [Tigerlight Pty Ltd](#)

 [TigerlightLED](#)

All documentation is subject to change without notice. © 20240517

