



tigerlight®

HIGH-PERFORMANCE
INDUSTRIAL LIGHTING

TIGER IK10 SOLAR BOLLARD
SOLAR BOLLARD LIGHT



tiger

IK10 SOLAR
BOLLARD



SOLAR-POWERED IK10 BOLLARD VANDAL RESISTANT FOR THE TOUGHEST OF ENVIRONMENTS

7.5W Solar panel. 77 Wh Battery. 1.75W LED light
325 lumens at > 180 lm/W efficacy
CCT options - 4000K Cool White or Amber
Zero upward light
Integrated light sensor for auto on/off
4 programming options to suit solar conditions
2.7 nights autonomy at 100% output on full charge
Robust vandal resistant construction. Rated IP65 and IK10.

PRODUCT CODES

DIRECT BURY
(Standard)
SRSB1-DB



SURFACE MOUNT
(Option)
SRSB1-SM



SOLAR PARAMETERS

Battery: Lithium LiFePO4 x 8 cells
Battery power: 7.4V, 10.4Ah, 77Wh
Solar panel: 7.5W monocrystalline
Working current: 0.78A max
Luminaire: 1.75W LED
Default program output: 100% all night, 325 lm
Autonomy up to 2.7 winter nights (13hrs)
on a full charge.

PROGRAMMING OPTIONS

1. 1.75W - dusk until dawn (default setting)
2. 1.75W - 100% for 4 hours after dusk, 5 hours at 30%, then 1.75W until dawn
3. 1.25W - dusk until dawn
4. 1.25W - 100% for 4 hours after dusk, 5 hours at 30%, then 1.25W until dawn.

APPLICATIONS

Low cost safety and security lighting without the need for trenching or cabling.
Low level public and civic lighting for pathways, perimeters, open spaces, gardens.
Mining camps, education campuses, commercial developments, entrances and exits.



IK10 SOLAR BOLLARD

LED LUMINAIRE

Rated power	1.75W or 1.25W
Luminous flux	325 lm
CCT options	Cool white or Turtle-friendly Amber
CRI	RA 80 (cool white)
Light distribution	360 degrees
Dimensions	246mm H x 285mm D

SOLAR PANEL

Dimensions	238mm diam
Max power	7.5W
Vmp	9V
Working current	0.78A Max

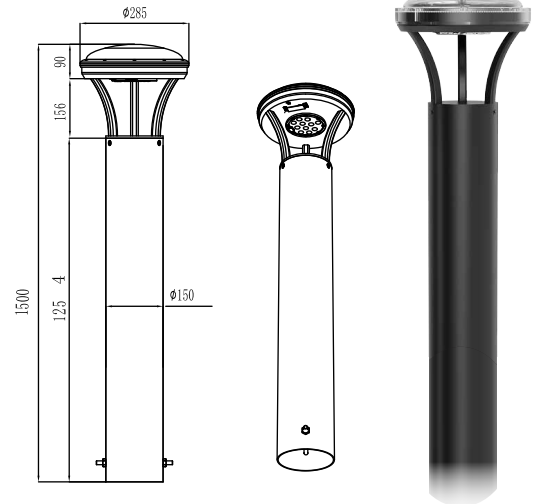
BATTERY

Battery type/number	Lithium (LiFePO4) / 8 cells
Energy	7.4V, 10.4Ah, 77Wh
Nominal voltage	3.7V
Charge voltage	9V
Battery lifetime	5 years

HOUSING & POLE SPECIFICATIONS

IP Rating / IK Rating	IP65 / IK10 for vandal resistance
Composition - lens	Polycarbonate /
- body	Die-cast aluminium, Black RAL9011
Operating temp	0 to 45 °C (night)
Charging temp	0 to 55 °C (day)
Post supplied	150mm diameter
Post length	Direct bury - 1500mm L. Surface mount option - 754mm L Total height above ground 1000mm
Warranty	3 years

DIRECT BURY (Standard)



Post supplied

SURFACE MOUNT (Option)



Post supplied

PRODUCT OVERVIEW VIDEO



◀ Scan the QR code to view a brief product overview video.

INSTALLATION INSTRUCTION VIDEO



◀ Scan the QR code to view a brief video on installation instructions.

tiger

**IK10 SOLAR
BOLLARD**



tigerlight[®]

T 1300 184 437
F 02 9913 8876
E info@tigerlight.com.au

**National Support &
Distribution Centre**
Unit 8, 1 Vuko Place,
Warriewood, NSW 2102

**Western Australia
Office & Warehouse**
Unit 3, 1 Distinction Road,
Wangara, WA 6065

tigerlight.com.au

 [Tigerlight Pty Ltd](#)

 [TigerlightLED](#)

All documentation is subject to change without notice. © 20240517



Australia-wide
Australian-owned